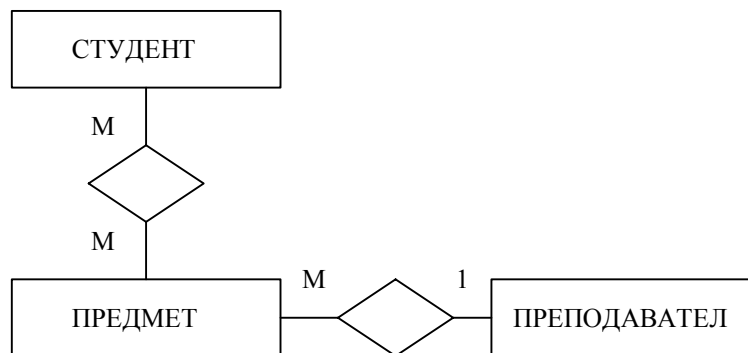


Структура на база данни студенти

ER диаграма



Релационен модел

student

| Name | Type | Unique | Nulls | Primary / Foreign key |
|-----------|----------|--------|-------|-----------------------|
| fn | char(6) | Unique | No | PK |
| ime | char(30) | | No | |
| adres | char(30) | | Yes | |
| kurs | smallint | | No | |
| grupa | smallint | | Yes | |
| spec | char(10) | | Yes | |

prepod

| Name | Type | Unique | Nulls | Primary / Foreign key |
|--------------|-------------|--------|-------|-----------------------|
| nomer | serial(100) | Unique | No | PK |
| ime | char(30) | | No | |
| adres | char(30) | | Yes | |
| katedra | char(20) | | No | |
| dlaj | char(10) | | No | |
| zaplata | money(6,2) | | No | |

predmet

| Name | Type | Unique | Nulls | Primary / Foreign key |
|------------|----------|--------|-------|----------------------------|
| ime | char(20) | Unique | No | PK |
| br_l | smallint | | No | |
| br_u | smallint | | No | |
| vid | char(1) | | Yes | |
| nomer | integer | | Yes | FK references prepod.nomer |

s_p

| Name | Type | Unique | Nulls | Primary / Foreign key |
|--------------|--------------|--------|-------|-------------------------------|
| fn | char(6) | | No | * PK FK references student.fn |
| ime_p | char(20) | | No | * FK references predmet.ime |
| ocenska | decimal(4,2) | | Yes | |